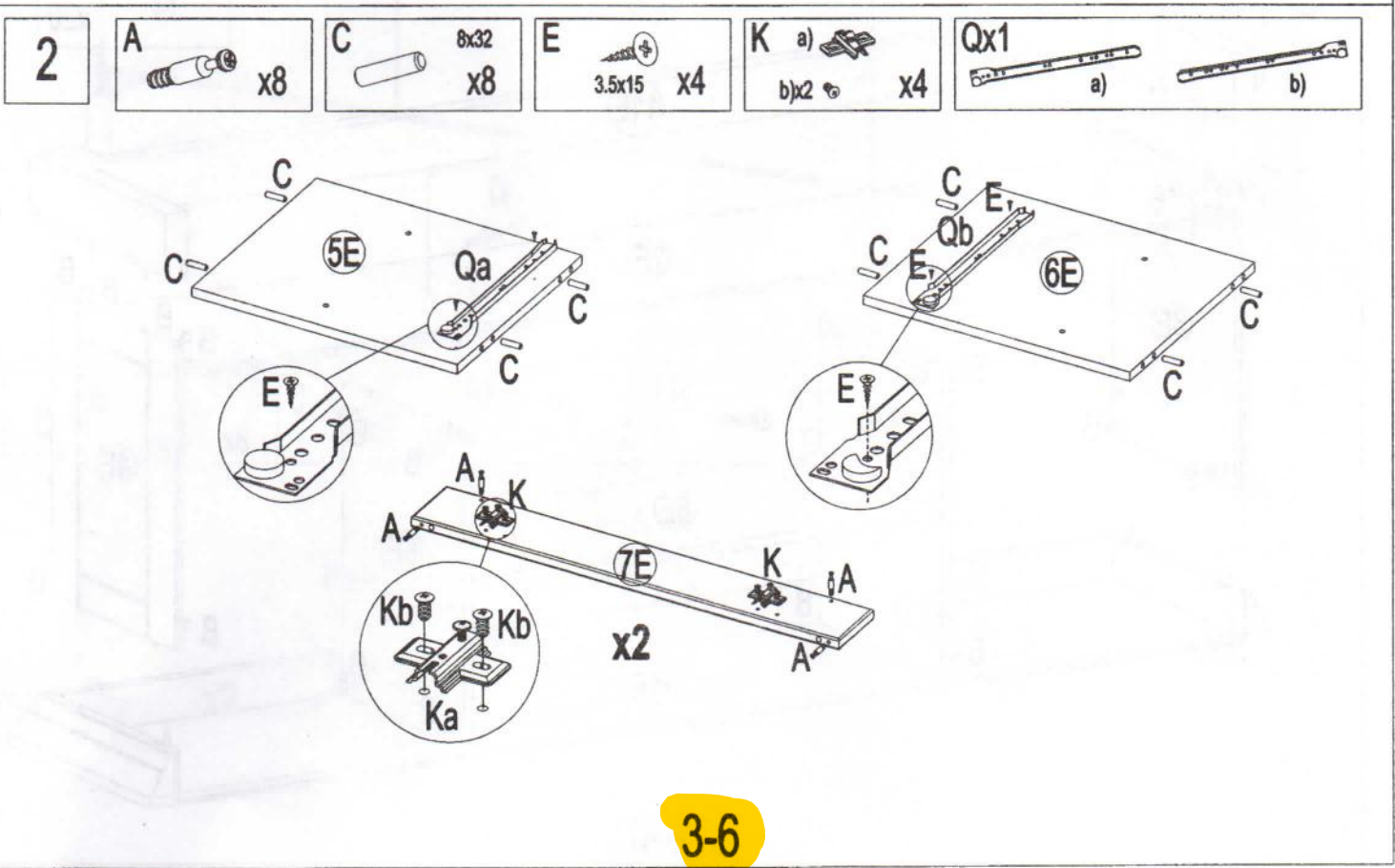
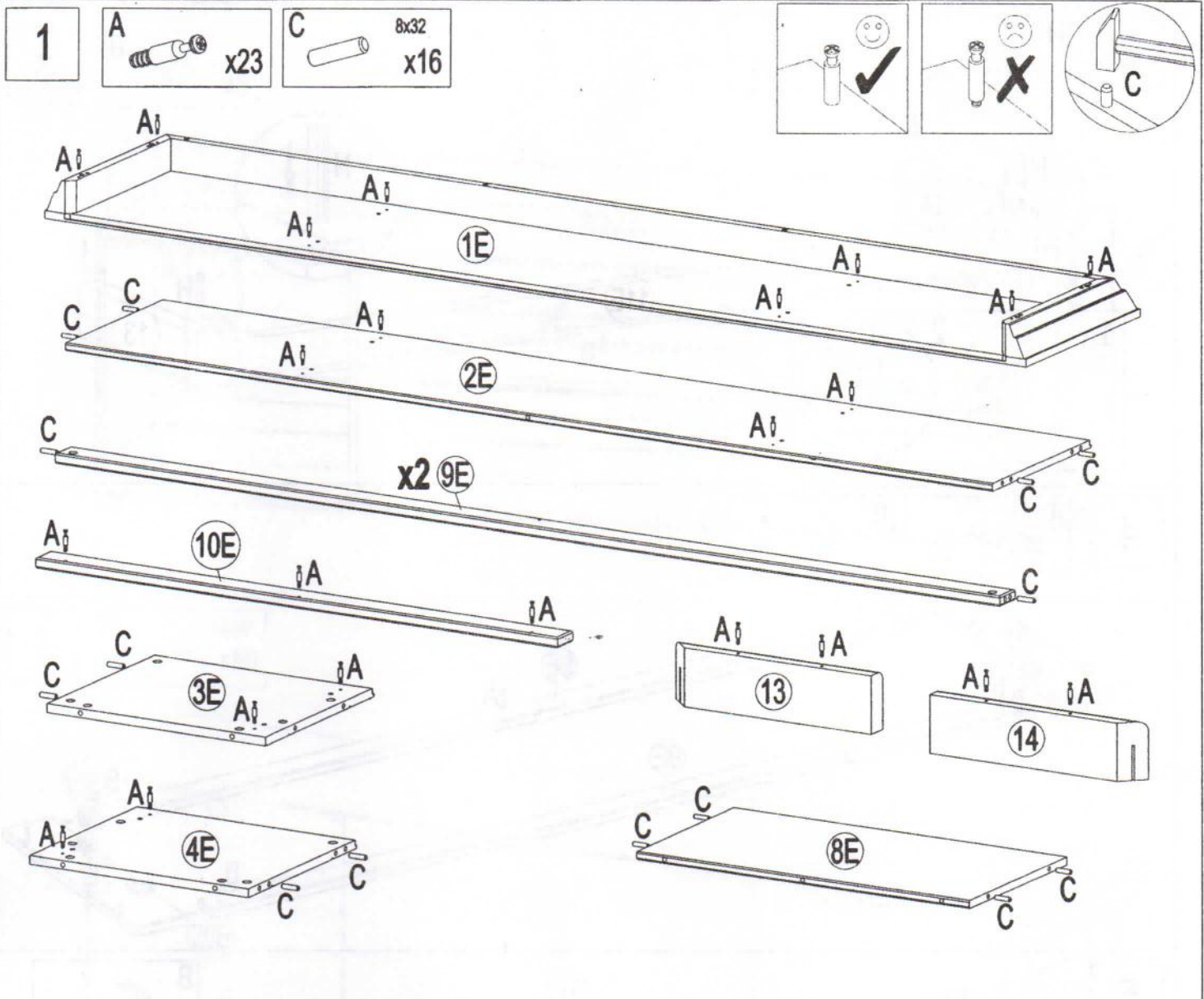
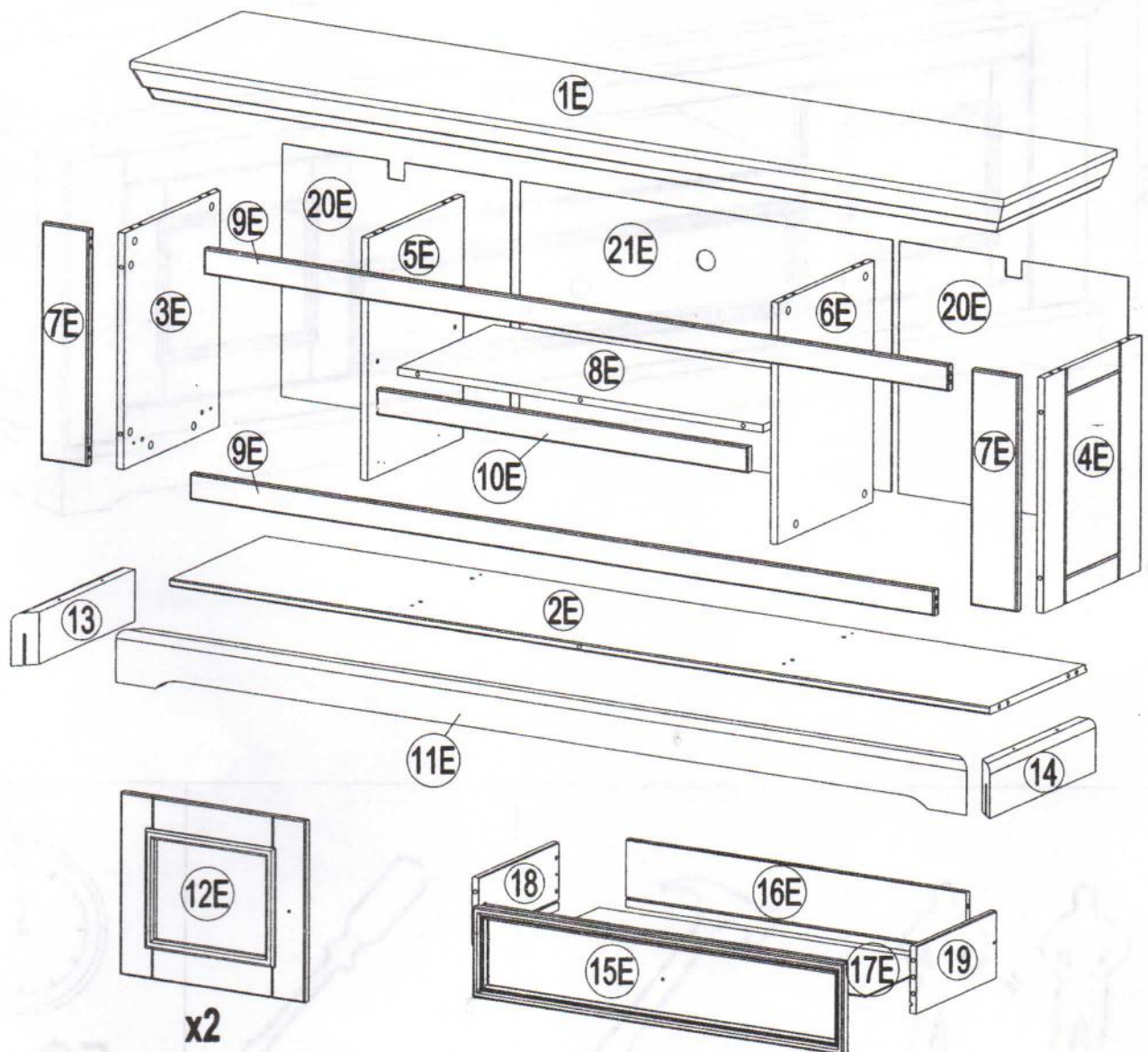
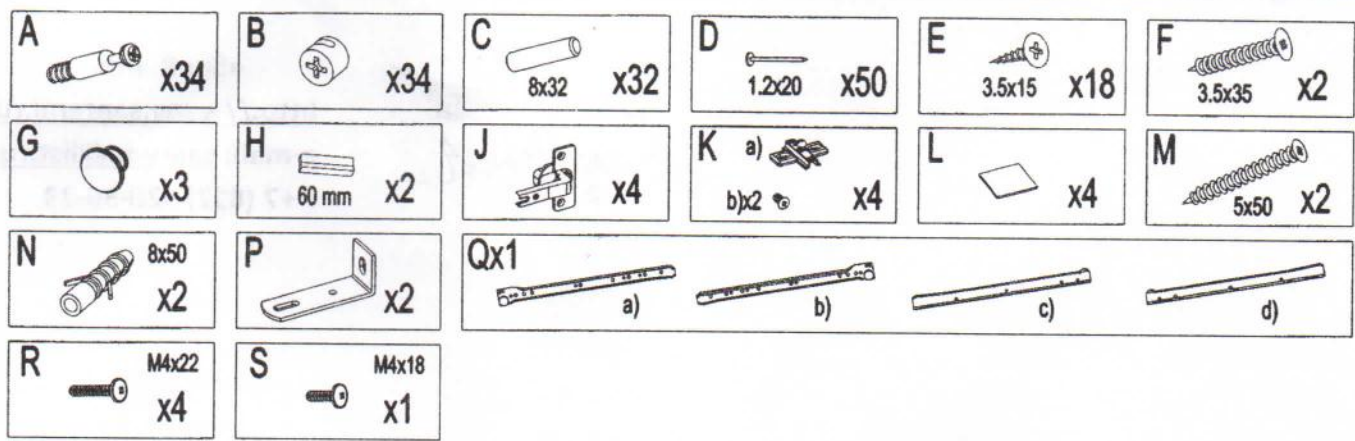


50 min

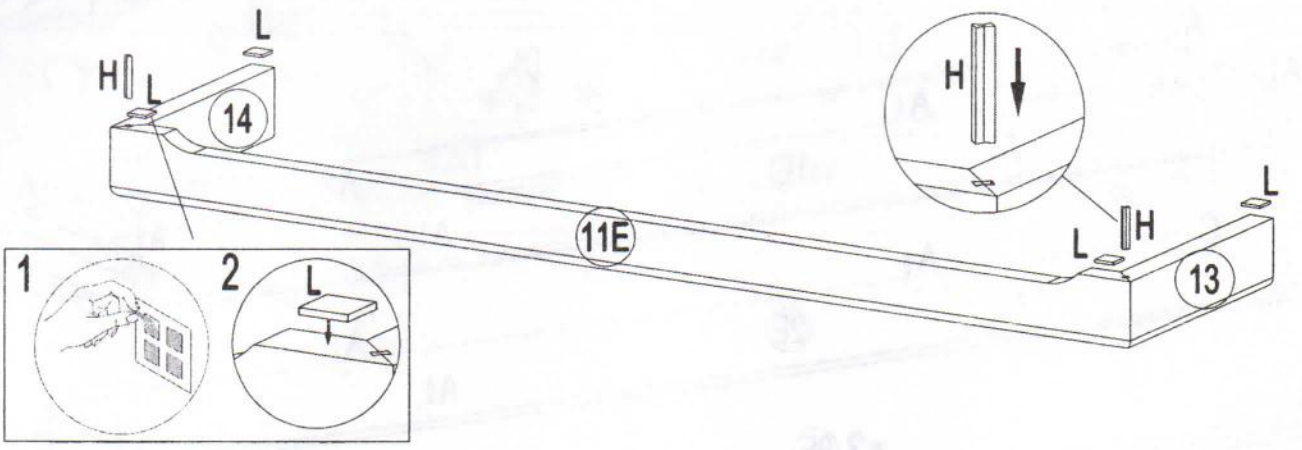
47550 (550) / 201/

EAC

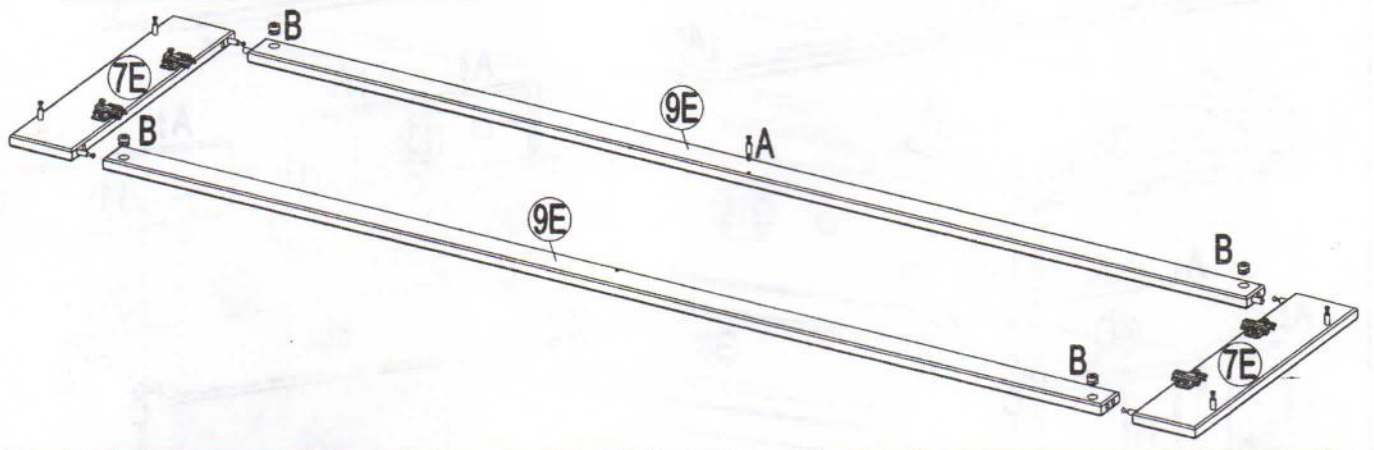




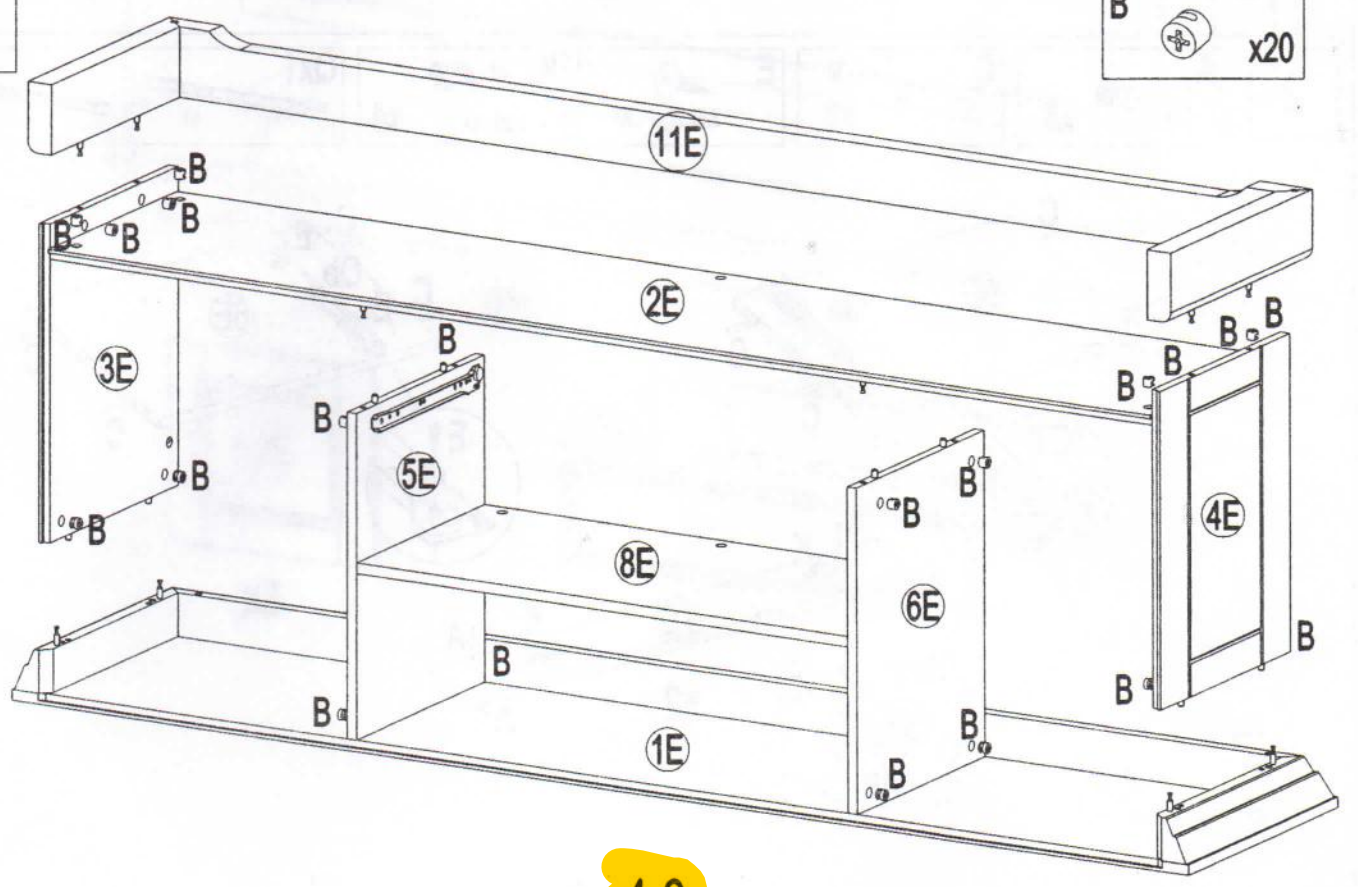
- 3 H 60 mm x2 L x4




- 4 A x1 B x4

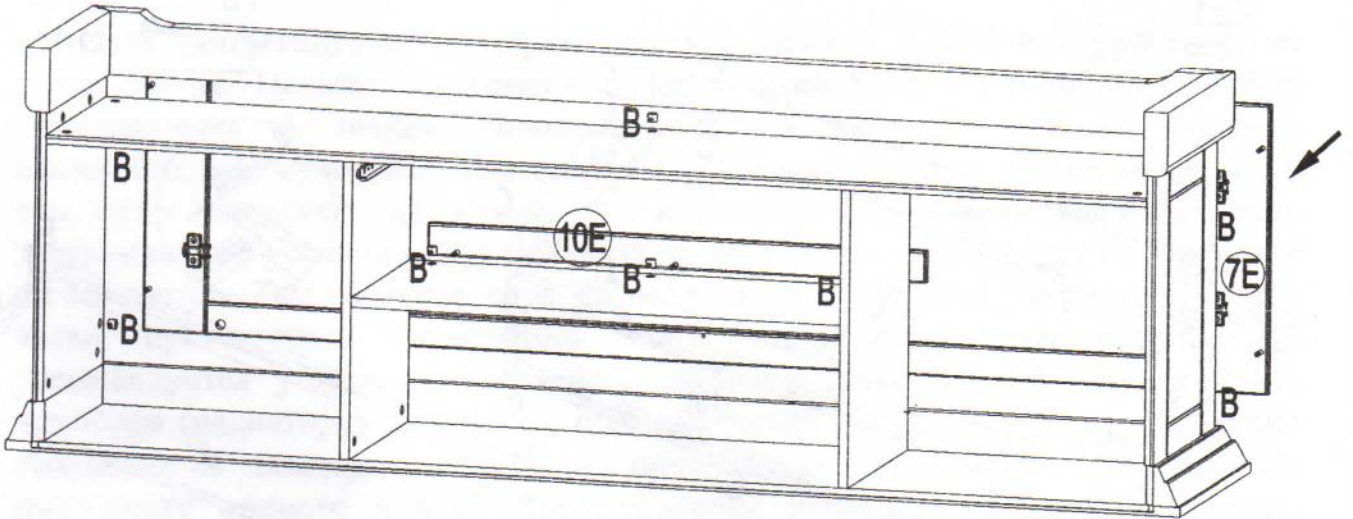


- 5 B x20




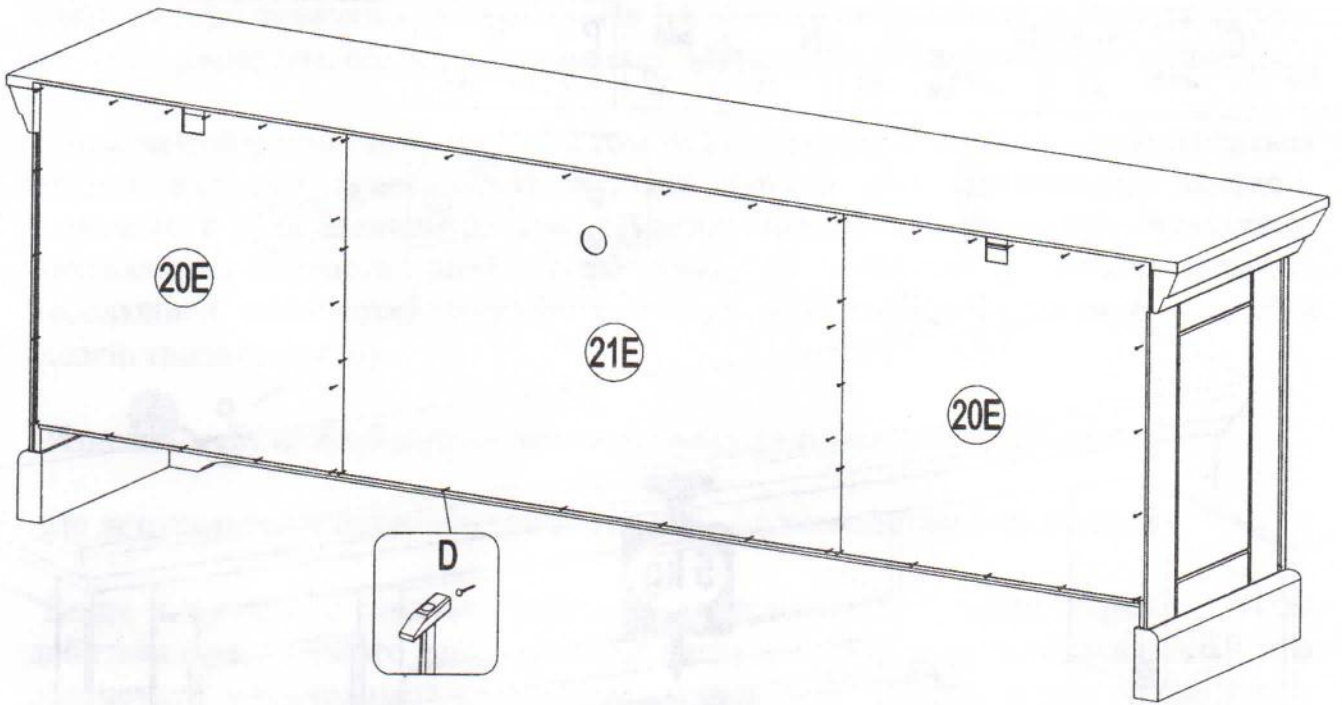
6

B  x8



7

D  1.2x20
x50



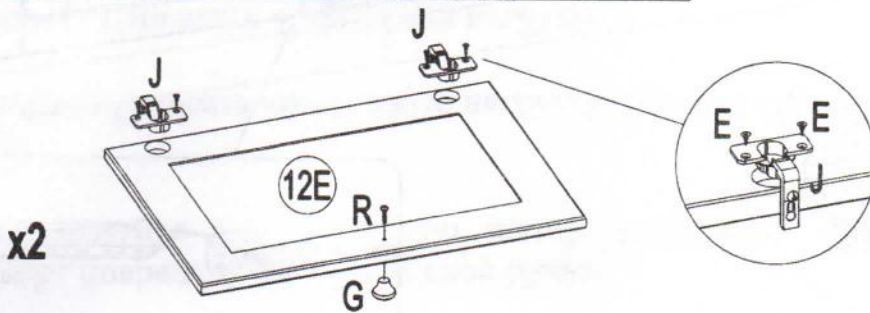
8

E  3.5x15 x8

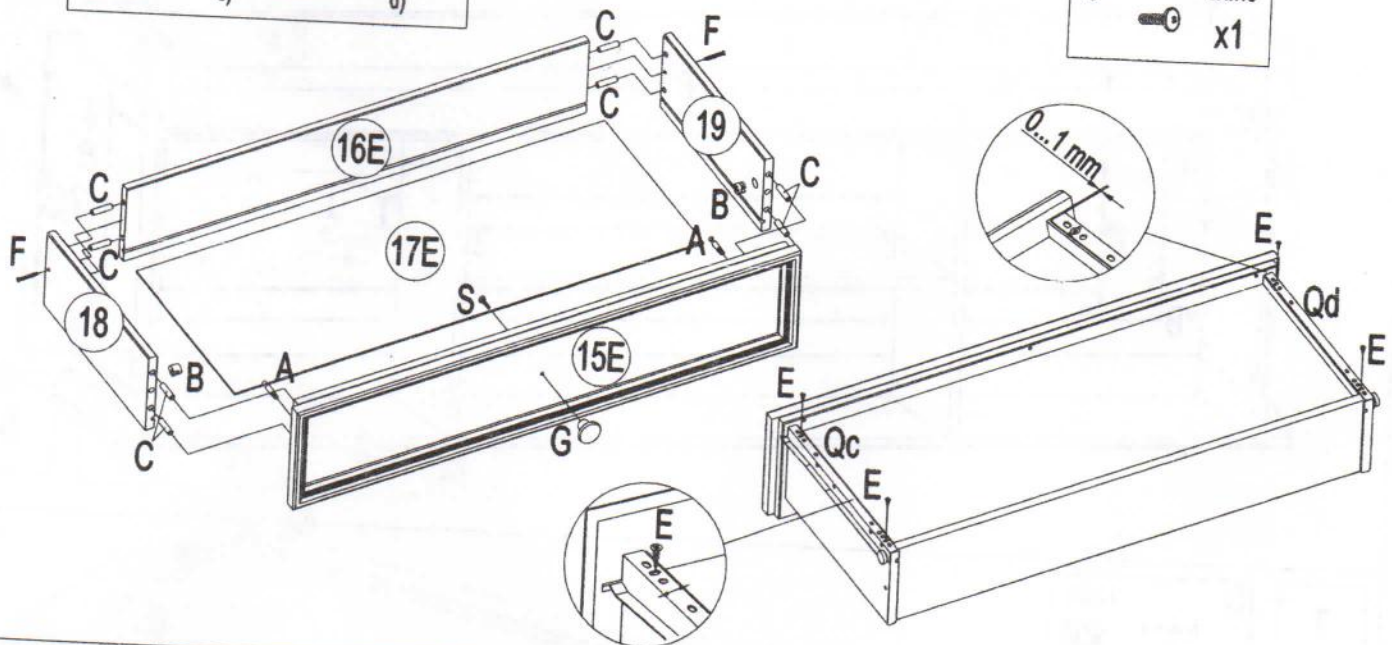
J  x4

G  x2

R  M4x22 x2



- 9**
- | | | | | | |
|---------------------|----------------|------------------------|--------------------------|--------------------------|----------------|
| A
x2 | B
x2 | C
8x32
x8 | E
3.5x15
x4 | F
3.5x35
x2 | G
x1 |
| Qx1
c) d) | | | | S
M4x18
x1 | |



- 10**
- | | | | |
|--------------------------|------------------------|------------------------|----------------|
| E
3.5x15
x2 | M
5x50
x2 | N
8x50
x2 | P
x2 |
|--------------------------|------------------------|------------------------|----------------|

